

WINGITS®

FORZA™

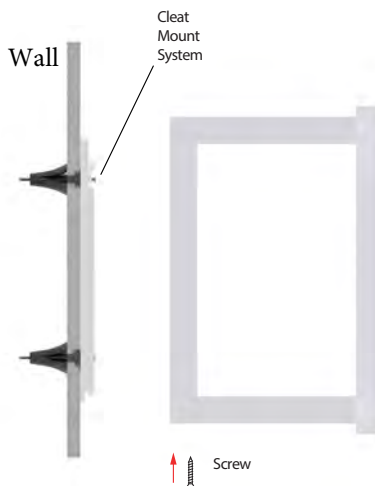
Floating "C" Shelf with Extended Fascia

Model:
WCFSEF

Part Numbers:

WCFSEFWH
White Finish

Includes World's
Strongest Fasteners®



- Rated at 100lbs - **50lbs per shelf**
- Three Coats of Catalyzed Conversion Varnish - Hand Sanded Between Finishes
- Eco-friendly, Super-refined MDF Board - **CARB II Compliant**
- Installs in Minutes with WingIts® Fasteners (MAW35)
- Engineered for Maximum Durability with Proprietary Hardwood Dowel System
- Made in USA



MECHANICAL DATA

Length: 13" (350mm)

Height: 15" (381mm)

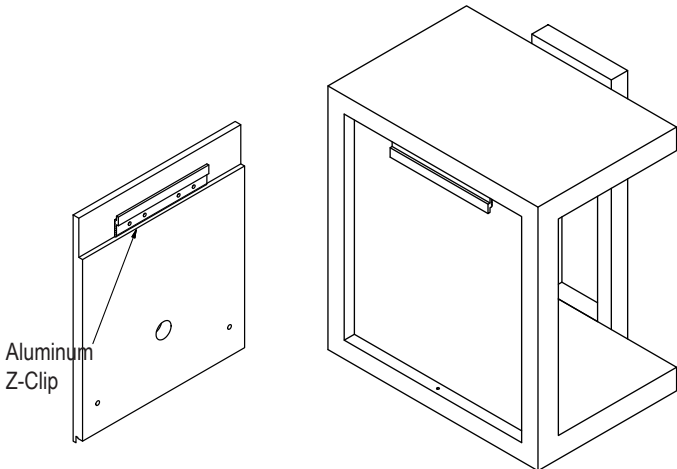
Depth: 9.125" (232mm)

COMPOSITION

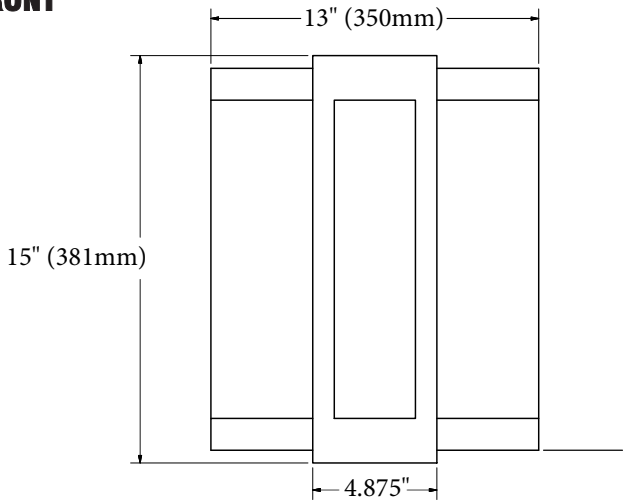
Uni-body hardwood core/shelving design with interlocking aluminum cleat system

INSTALLATION

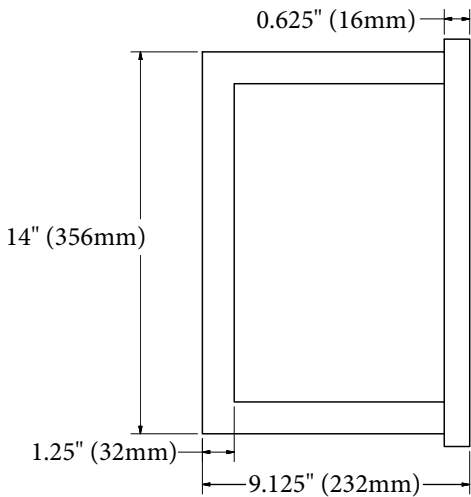
WINGITS® Floating Amenity "C" Shelves are designed to be installed with WINGITS® MASTER Anchor™ Fasteners (MAW35) into 5/8" drywall. 4 MASTER Anchor™ Fasteners (MAW35) included.



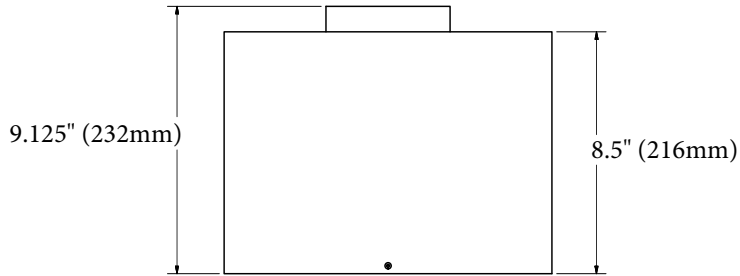
FRONT



SIDE



BOTTOM



Included Hardware

