

WINGITS®

INFINITE Squared™

European Toilet Paper Holder

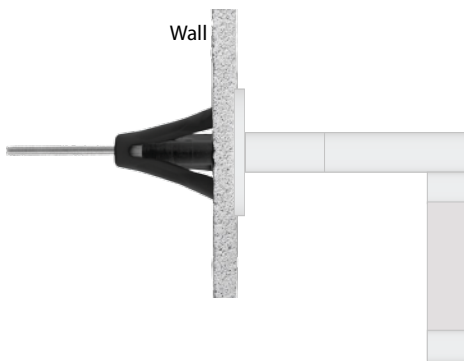
Model:

WITSQEUTPH

Part Numbers:

WITSQEUTPHPS
Polished Finish

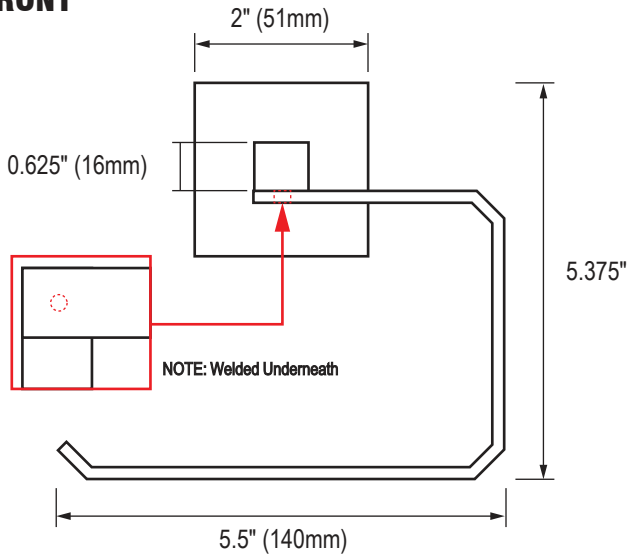
WITSQEUTPHSN
Satin Finish



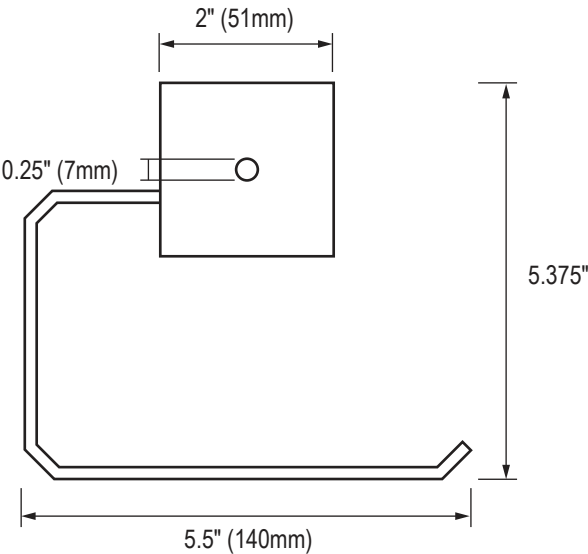
- Hand Polished Stainless Steel
- Beauty, Functionality & Durability
- No Lines for Dirt to Collect - Maintenance Free

MECHANICAL DATA
Length: 5.5" (140mm) Depth: 3.5" (89mm) Height: 5.375" (137mm)
COMPOSITION
18-8 (304) Stainless Steel
INSTALLATION
WINGITS® INFINITE Squared™ European Toilet Paper Holders are designed <u>for walls only</u> and and must be installed into either adequate structural blocking or with WINGITS® MASTER Anchor™ Fasteners (MAW35)
RECOMMENDED INTEGRATION
WINGITS® MASTER Anchor™ Fasteners (MAW35) are rated up to 300lb (136.1kg) and recommended for WINGITS® INFINITE Squared™ Toilet Paper Holders in almost all hollow-wall construction

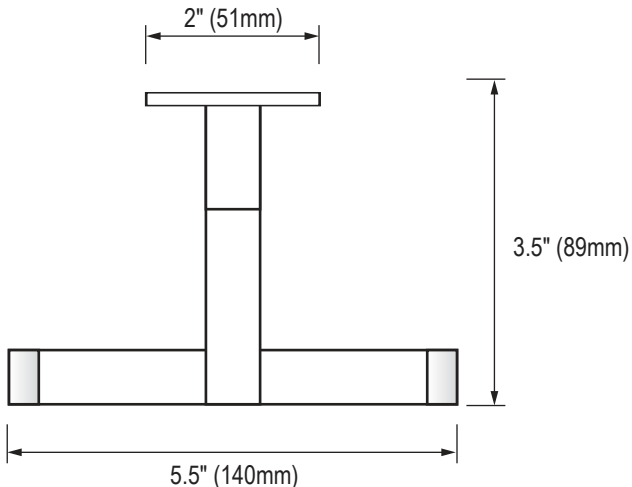
FRONT



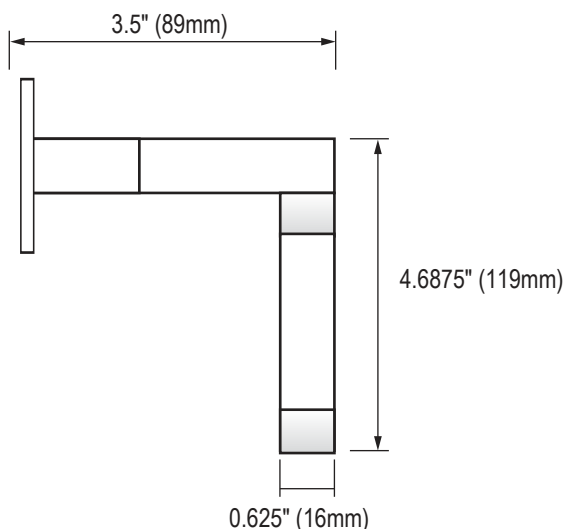
BACK



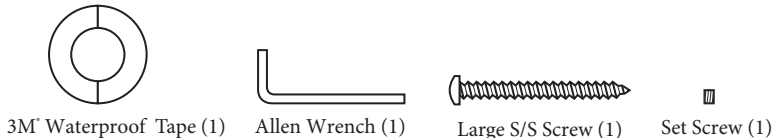
TOP



SIDE



Included Hardware



**Optional Hardware
(Sold Separately)**

